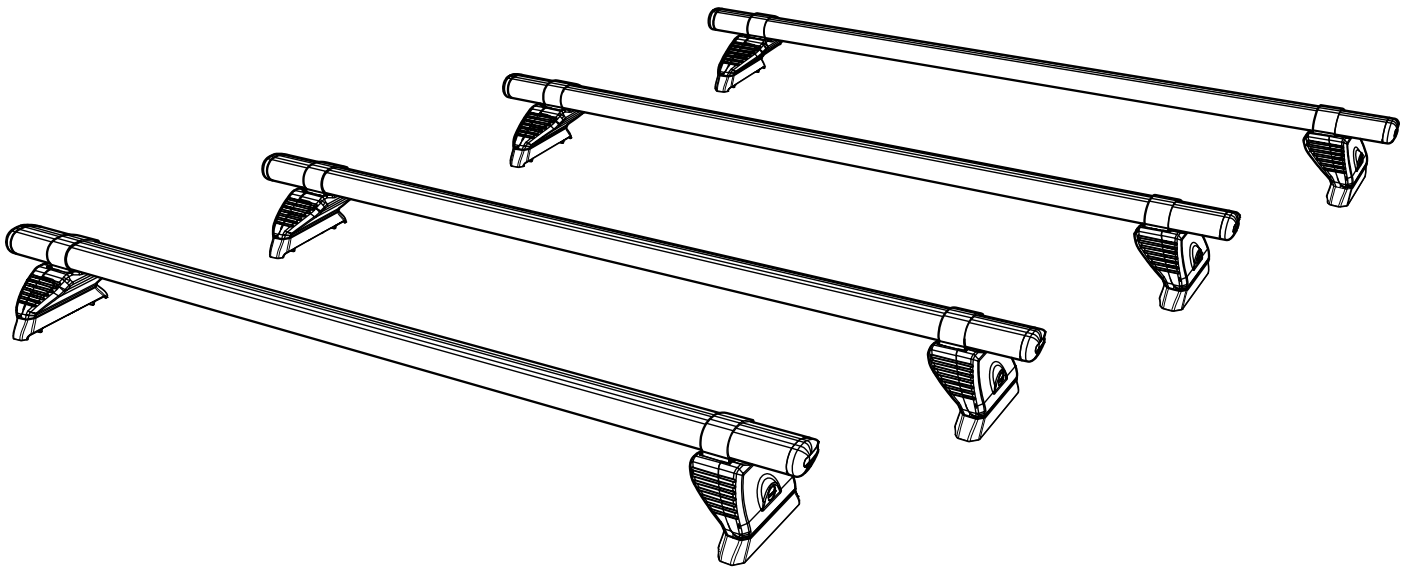


VA4PR/FL

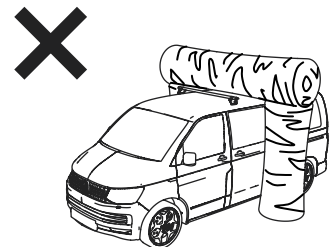
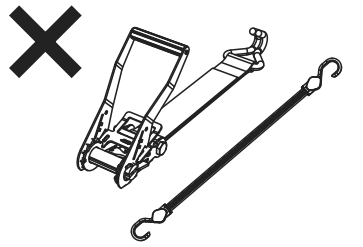
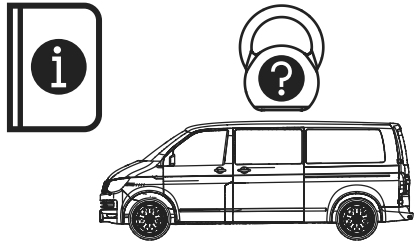
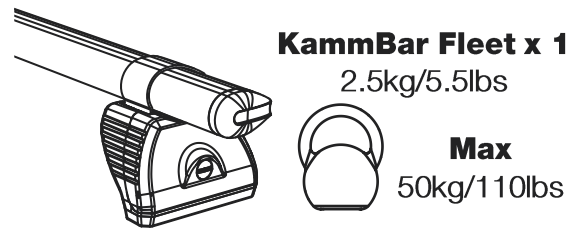
KammBar

Instructions

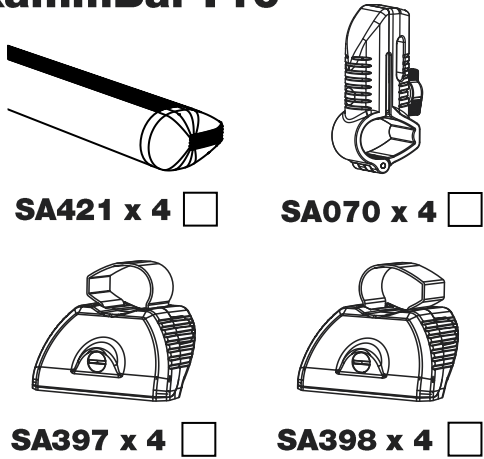


CITY CRASH (✓)

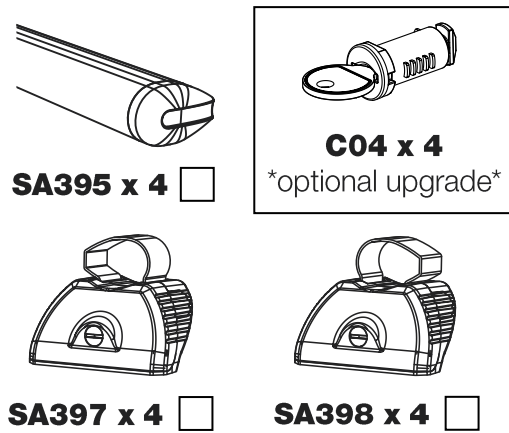
According to ISO/ PAS 11154:2006



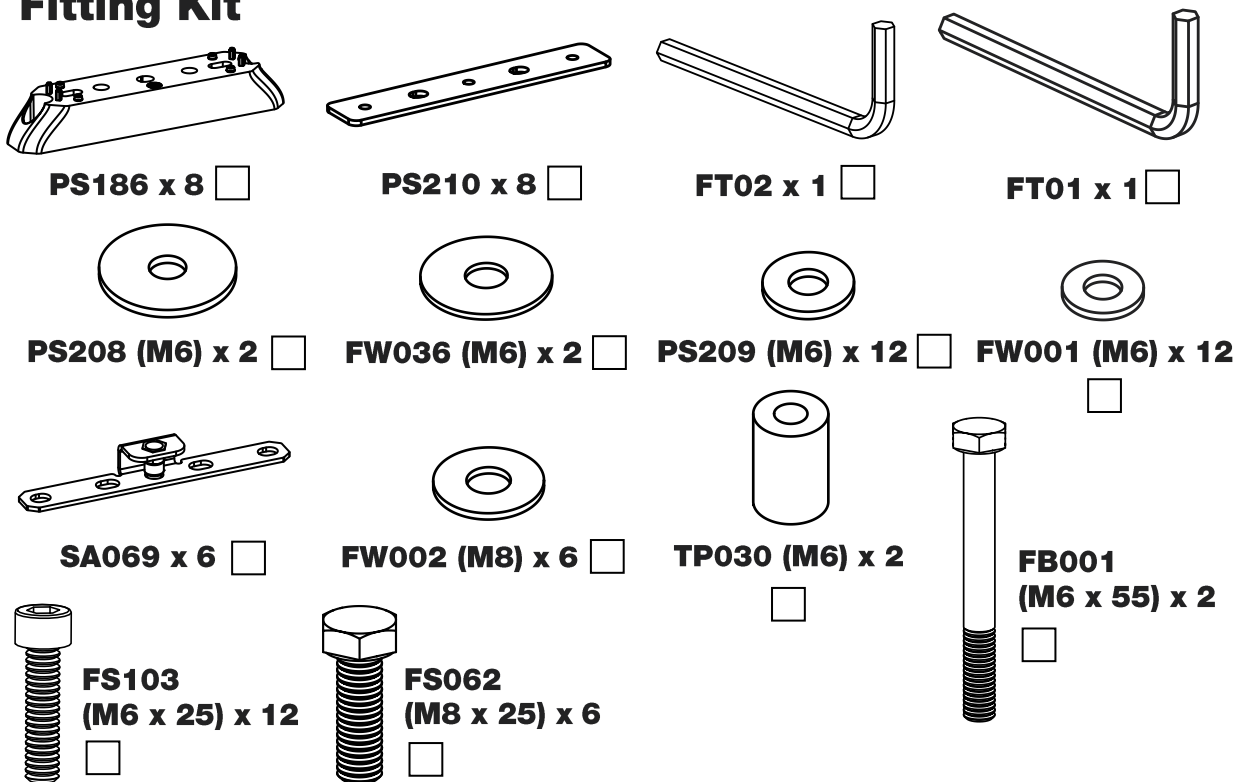
KammBar Pro



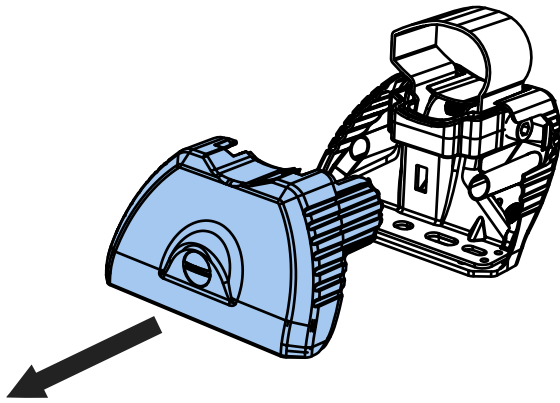
KammBar Fleet



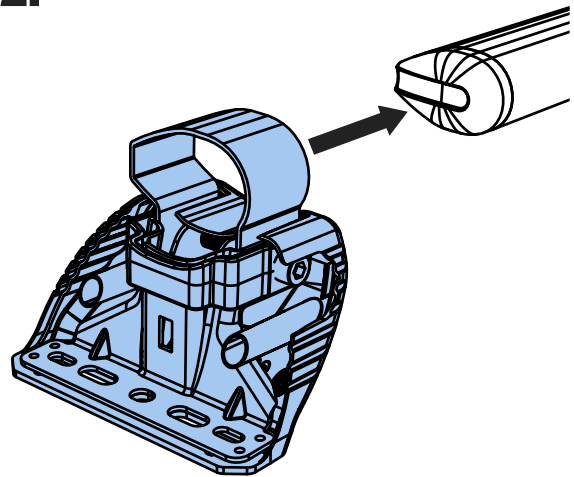
Fitting Kit



1.



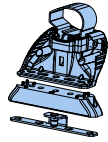
2.



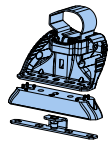
3.



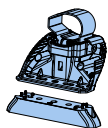
SA397
PS186
SA069



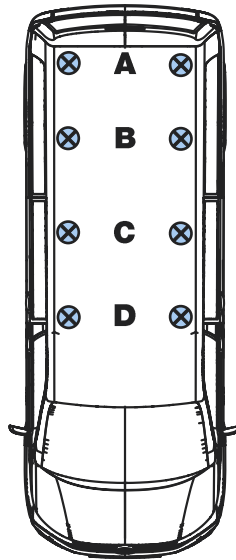
SA397
PS186
SA069



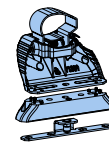
SA397
PS186
SA069



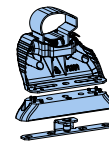
SA397
PS186



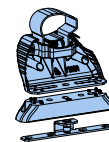
SA398
PS186
SA069



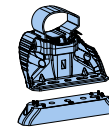
SA398
PS186
SA069



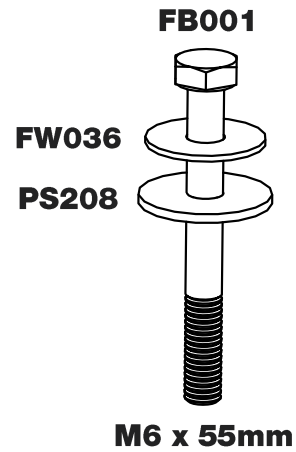
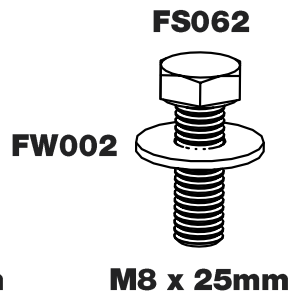
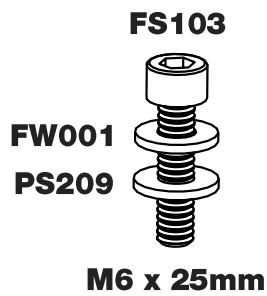
SA398
PS186
SA069



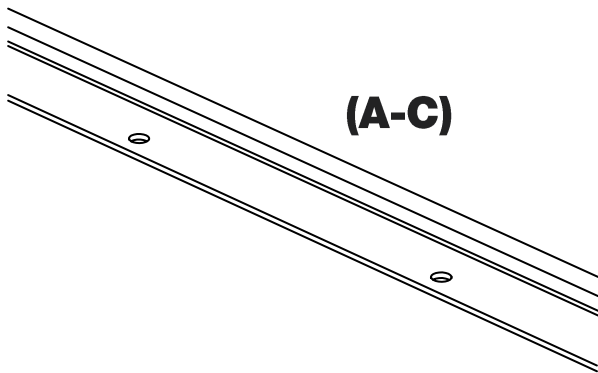
SA398
PS186



4.



5.

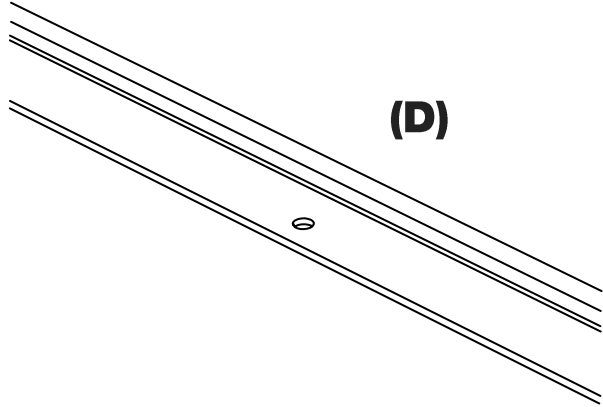


(A-C)



7-13, 17-20.

6.

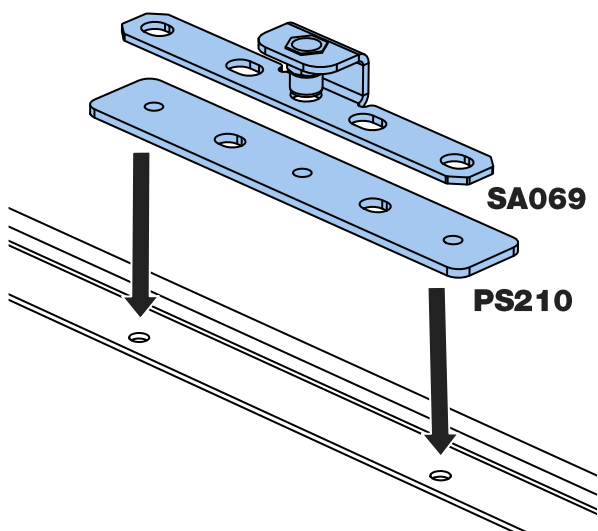


(D)



14-20.

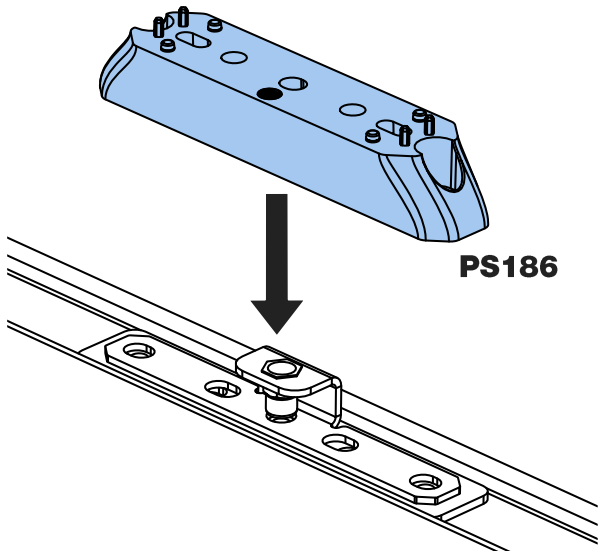
7.



SA069

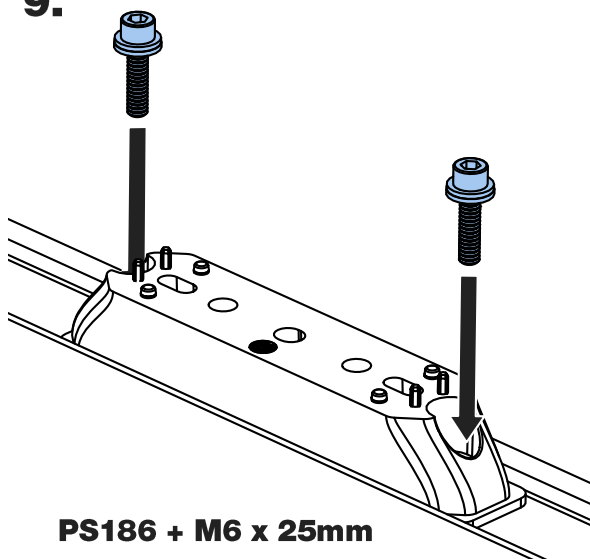
PS210

8.



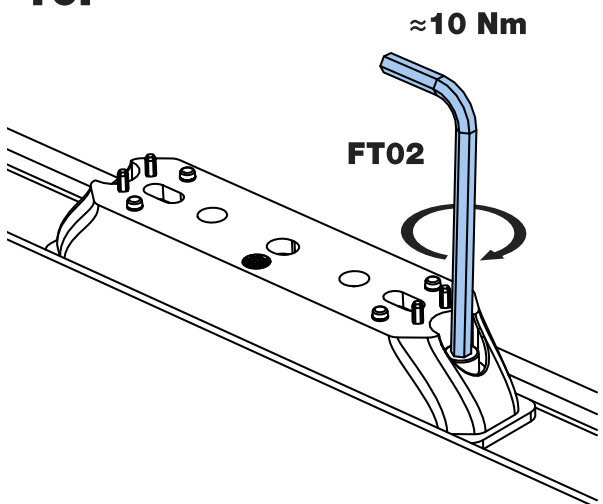
PS186

9.



PS186 + M6 x 25mm

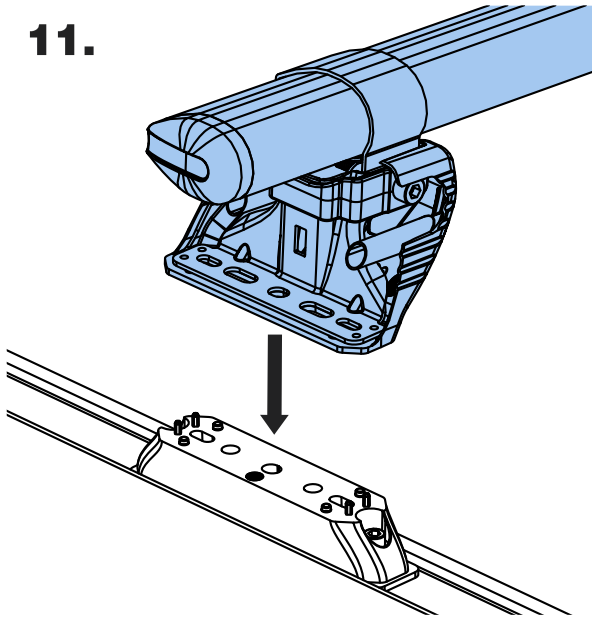
10.



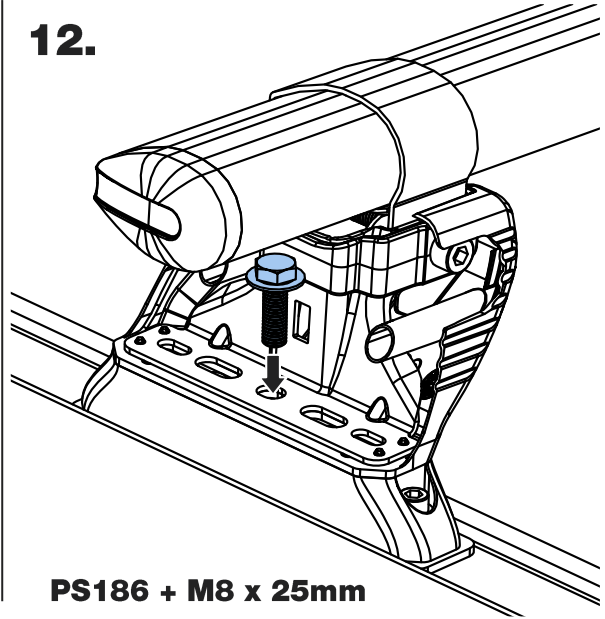
≈ 10 Nm

FT02

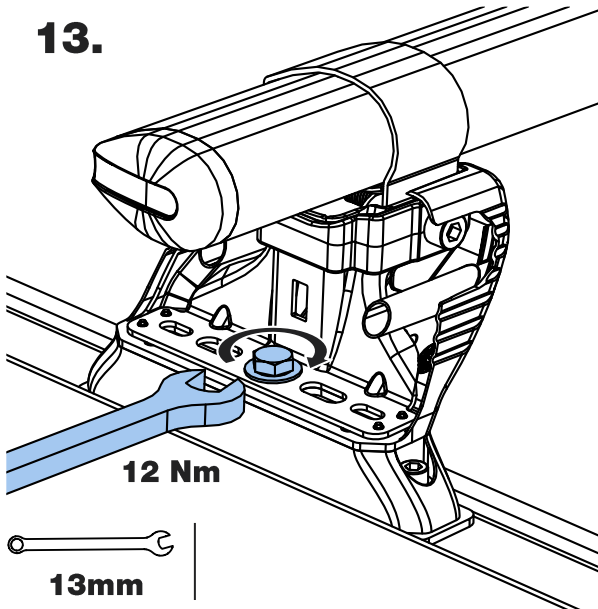
11.



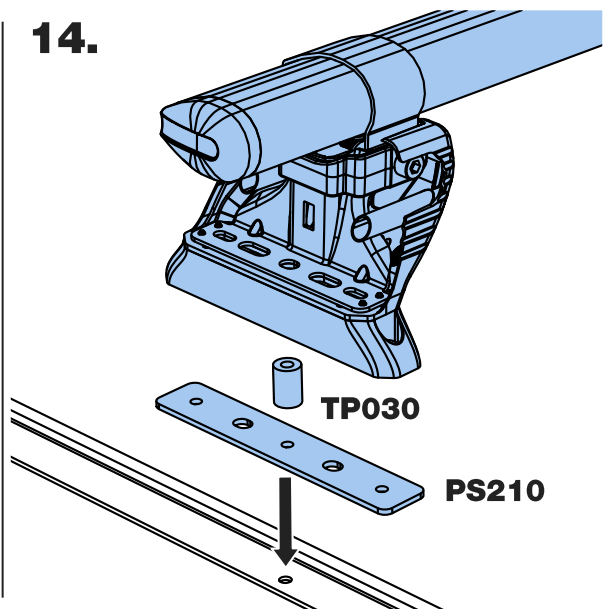
12.



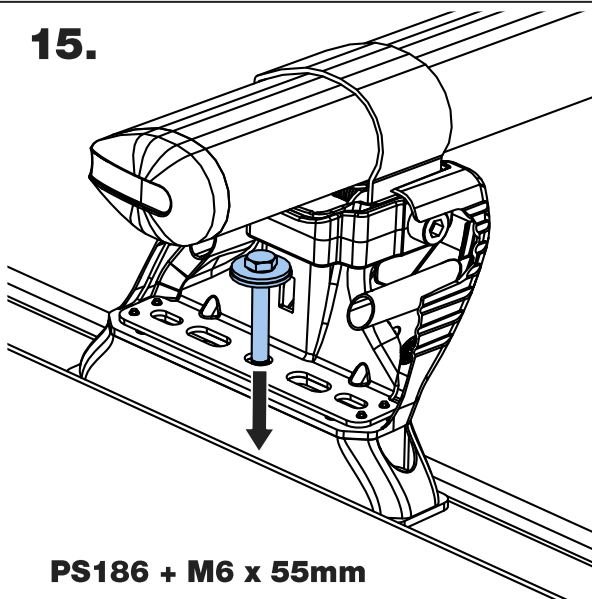
13.



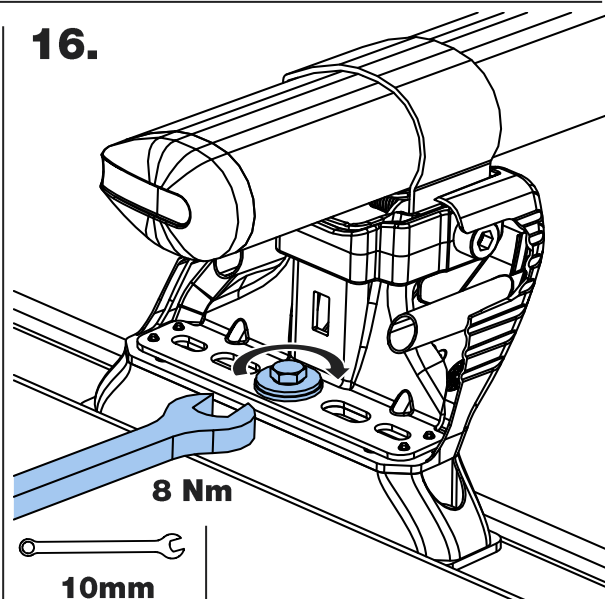
14.



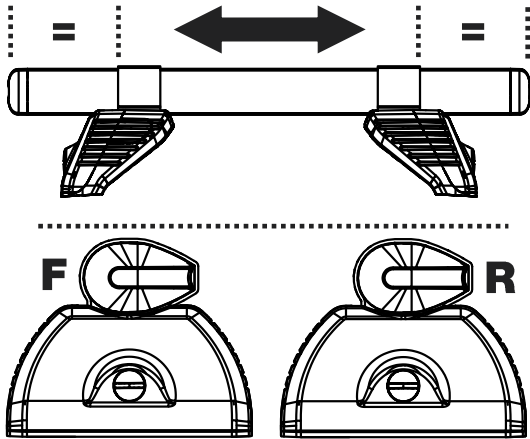
15.



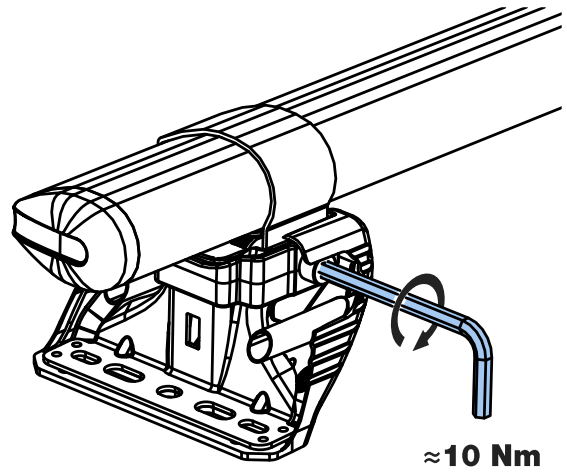
16.



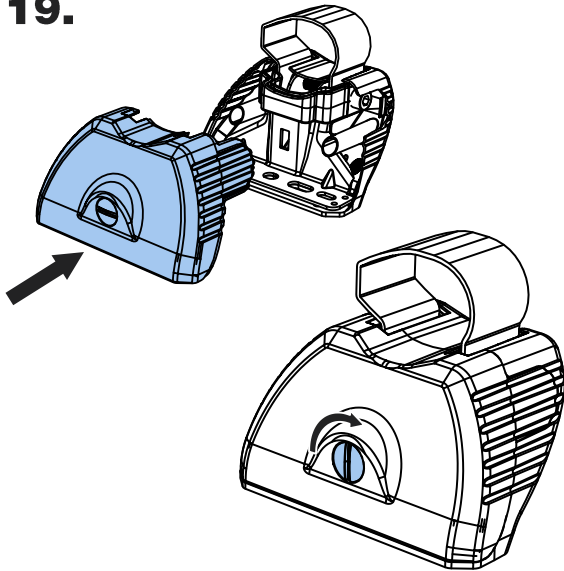
17.



18.



19.



20.

