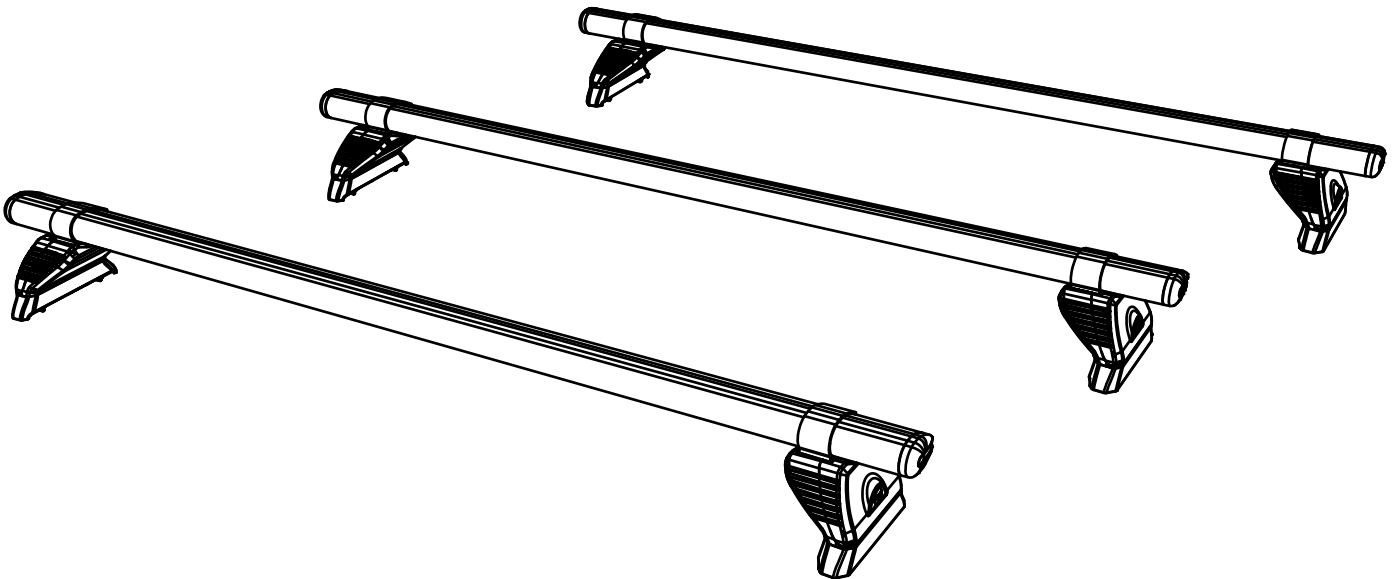


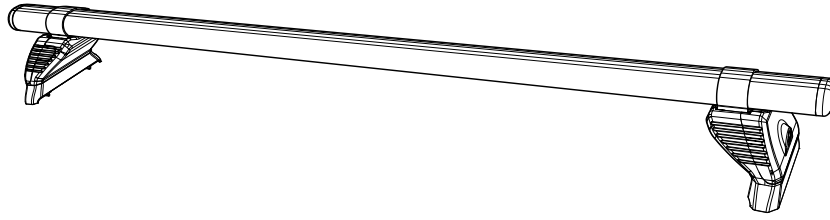
# VA3FL KammBar

## Instructions



**CITY CRASH** (✓)

According to ISO/ PAS 11154:2006

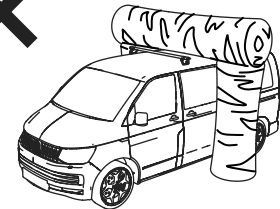
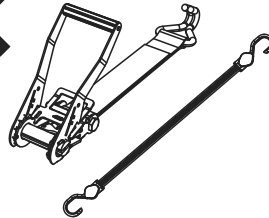
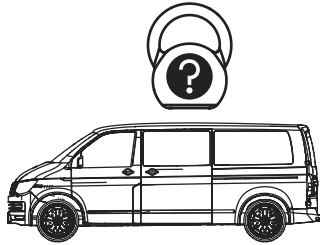


**KammBar Fleet x 1**

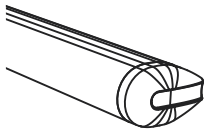
2.5kg/5.5lbs



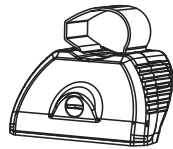
**Max**  
50kg/110lbs



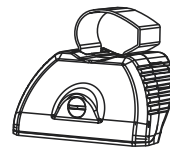
**KammBar Fleet**



**SA395 x 3**



**SA397 x 3**

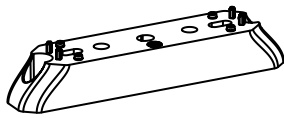


**SA398 x 3**

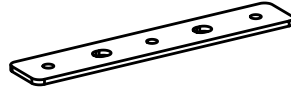


**C04 x 3**  
\*optional upgrade\*

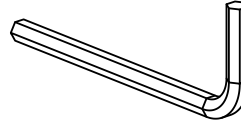
**Fitting Kit**



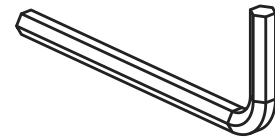
**PS186 x 6**



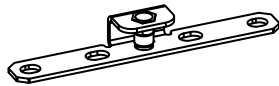
**PS210 x 6**



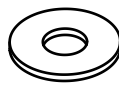
**FT02 x 1**



**FT01 x 1**



**SA069 x 6**



**FW002**  
**(M8) x 6**



**PS209**  
**(M6) x 12**



**FW001**  
**(M6) x 12**



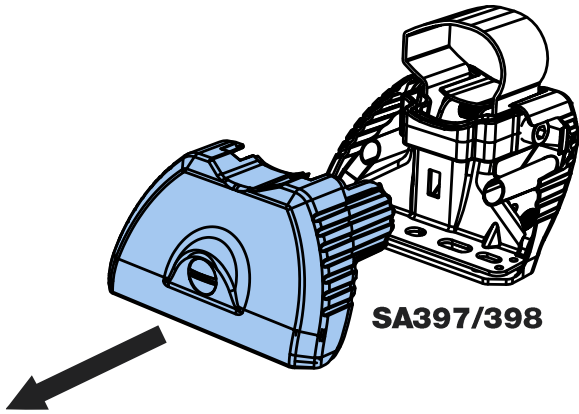
**FS103**  
**(M6 x 25) x 12**



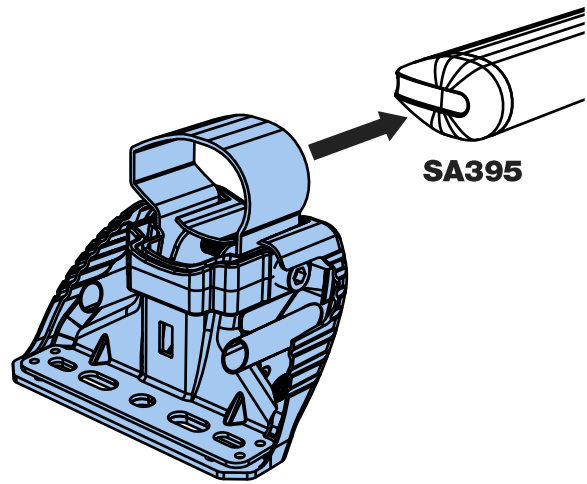
**FS062**  
**(M8 x 25) x 6**



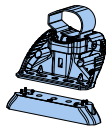
1.



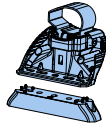
2.



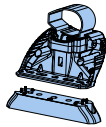
3.



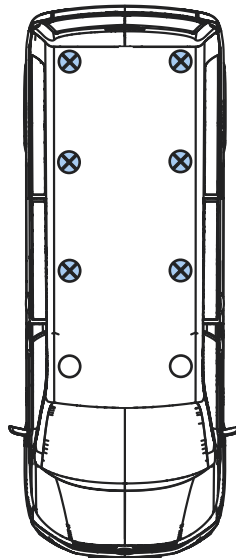
SA397  
PS186



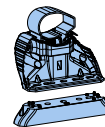
SA397  
PS186



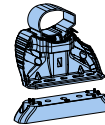
SA397  
PS186



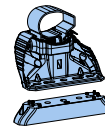
SA398  
PS186



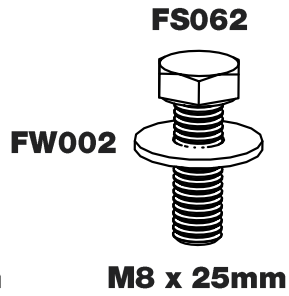
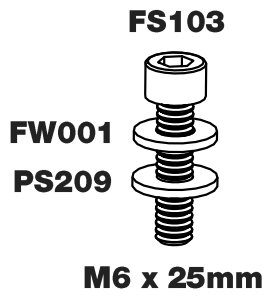
SA398  
PS186



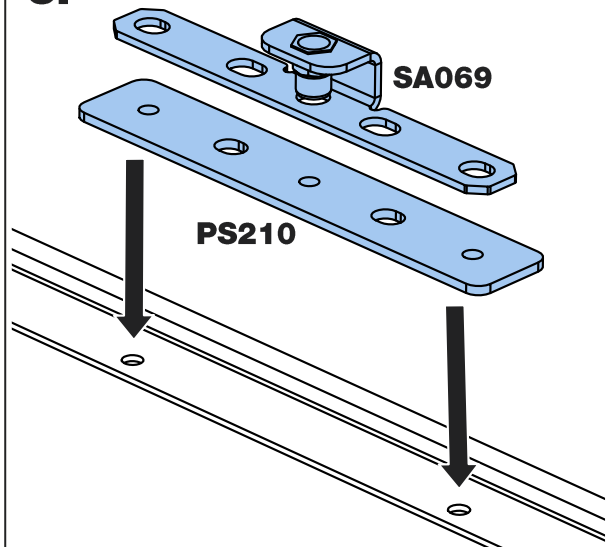
SA398  
PS186

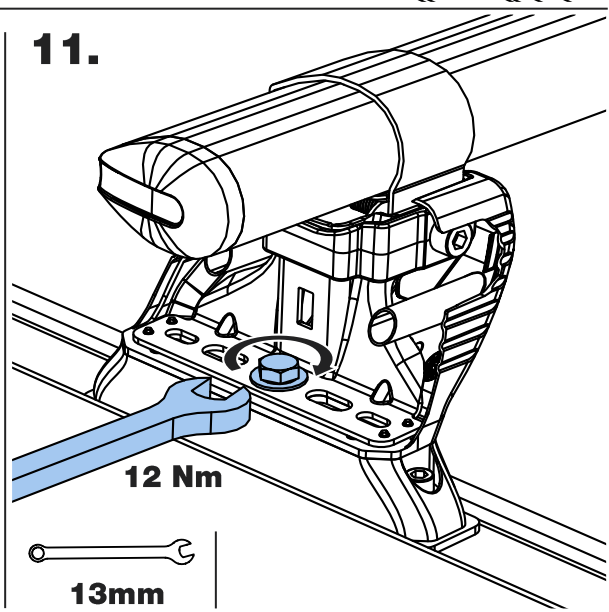
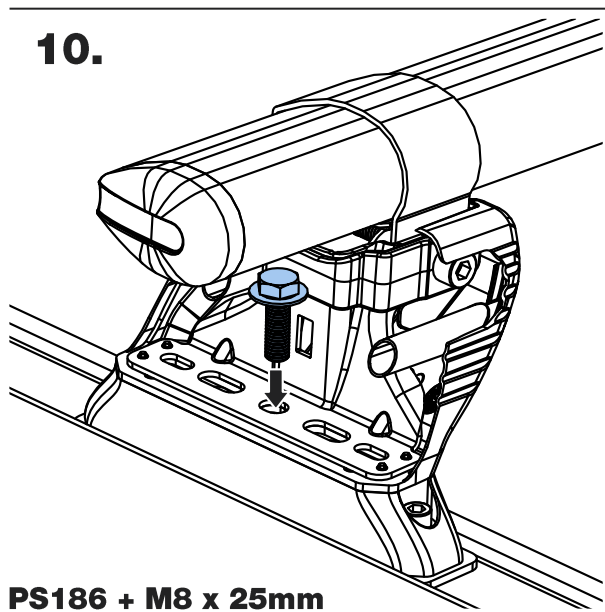
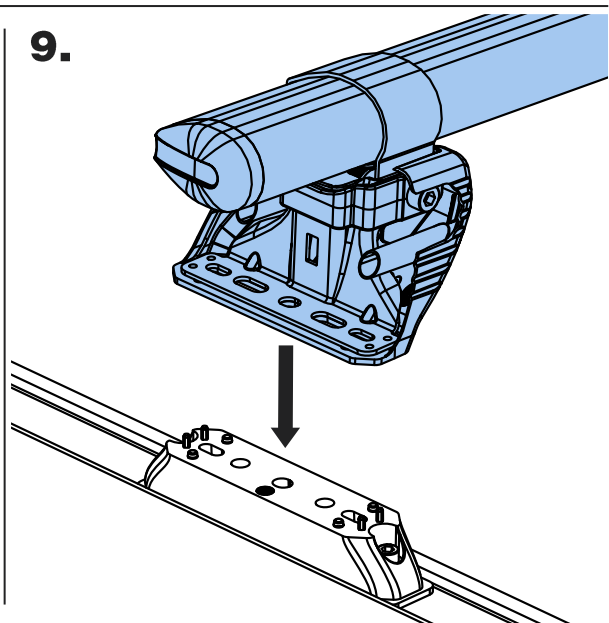
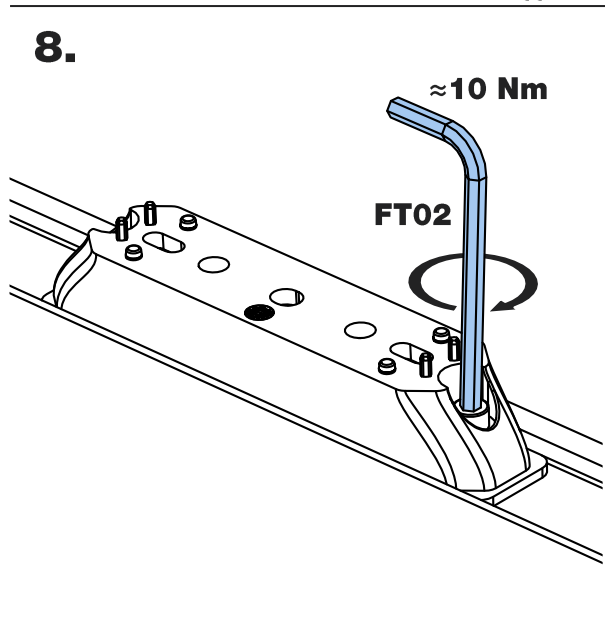
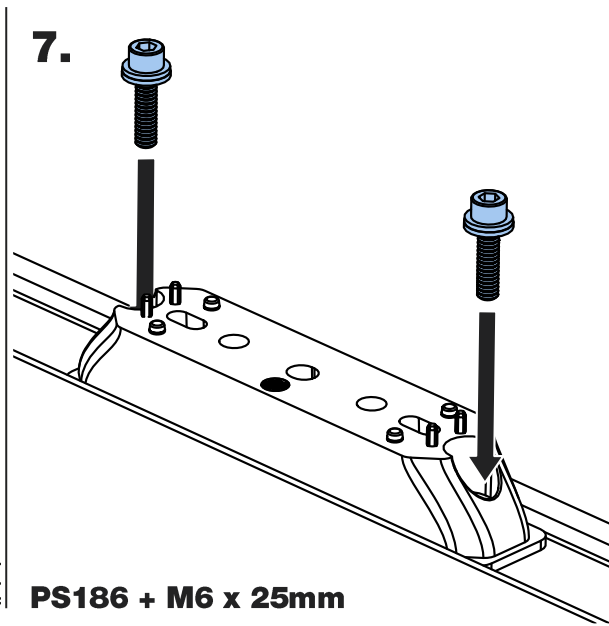
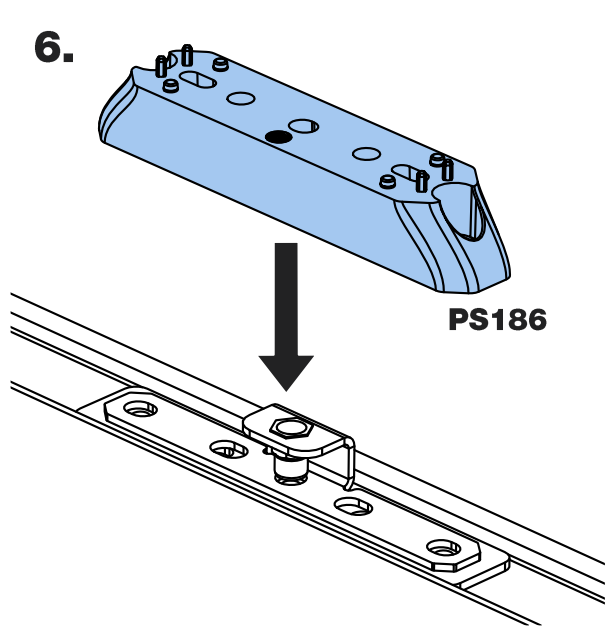


4.

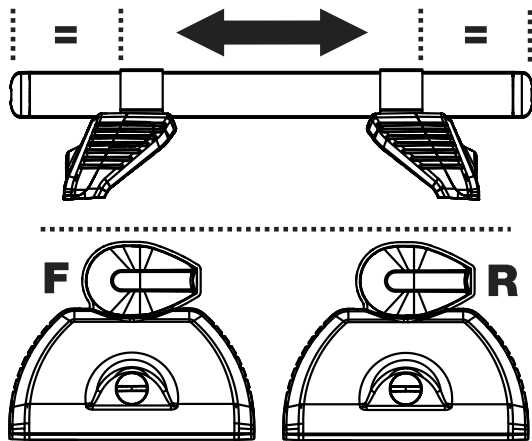


5.

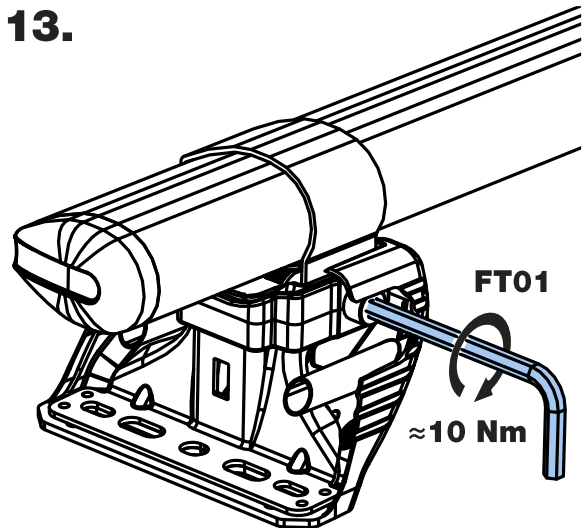




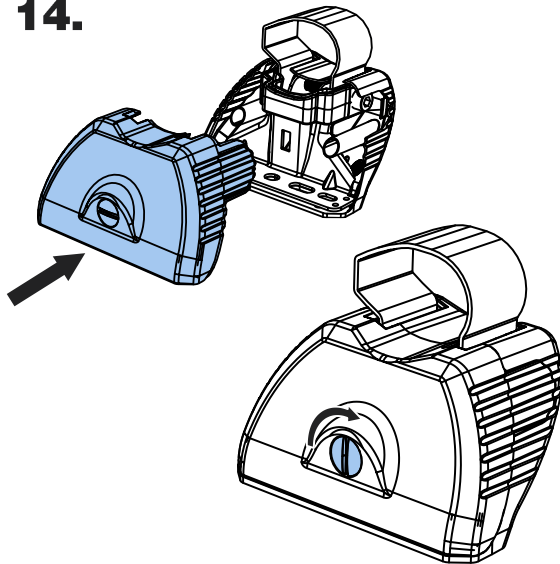
12.



13.



14.



15.

