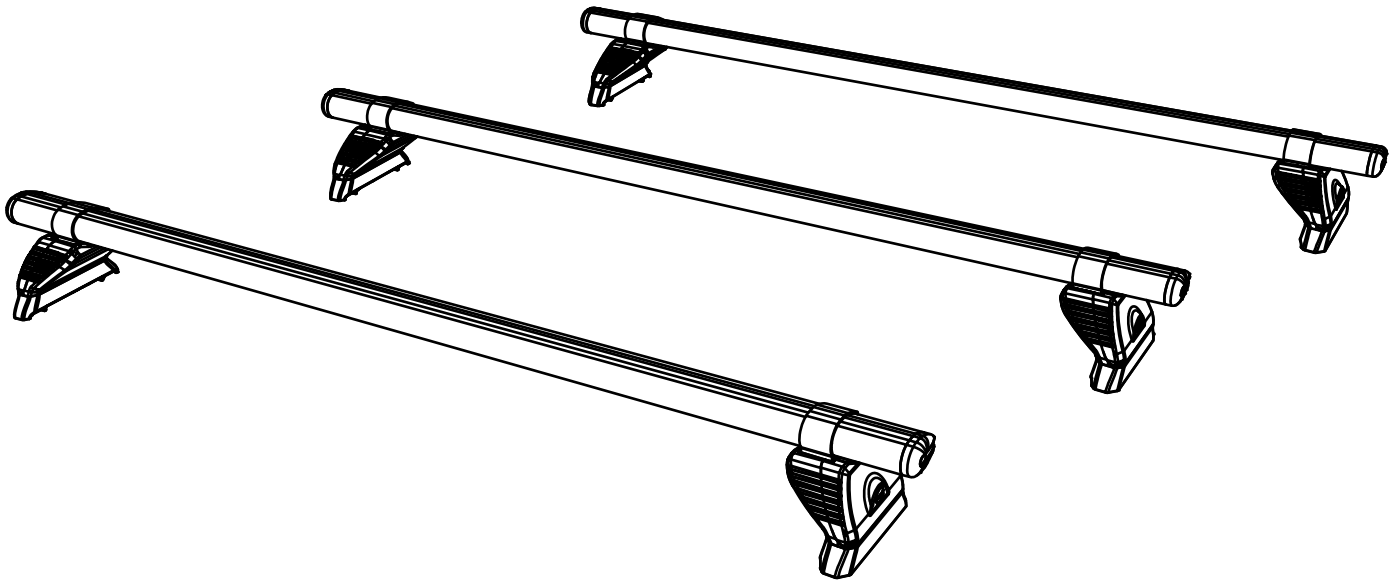


TB3PR/FL KammBar

Instructions

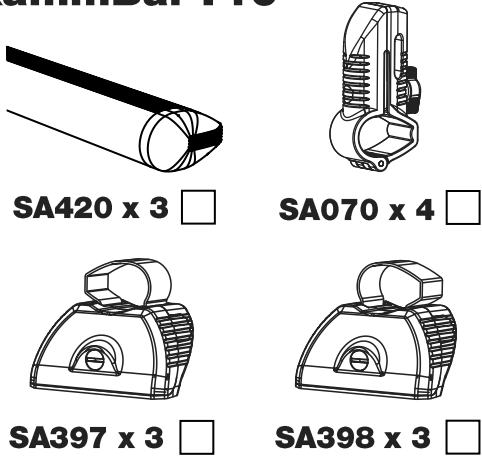


CITY CRASH (✓)

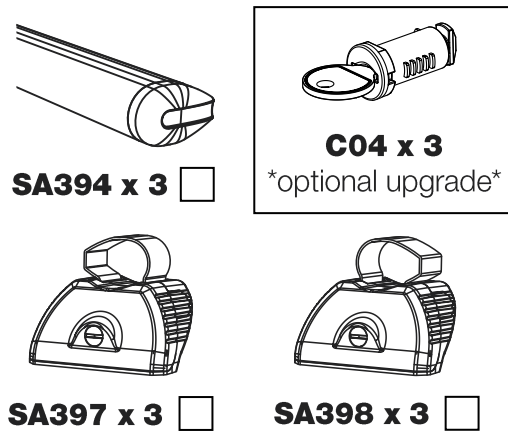
According to ISO/ PAS 11154:2006



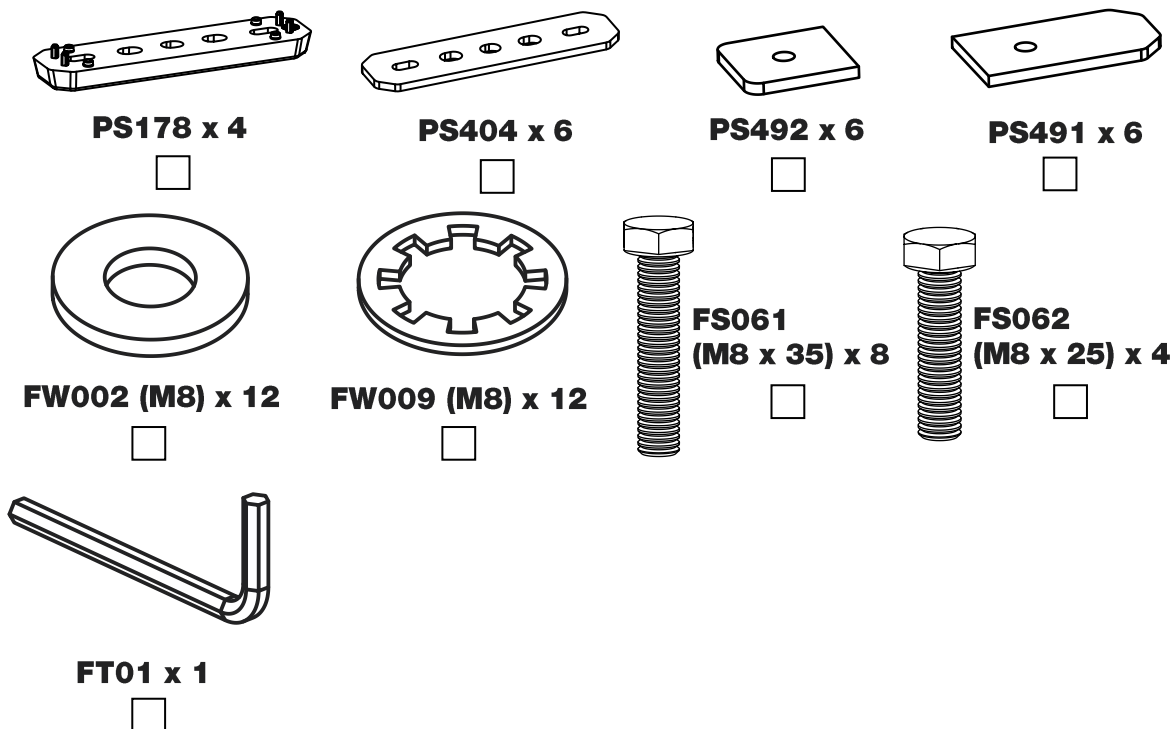
KammBar Pro



KammBar Fleet



Fitting Kit



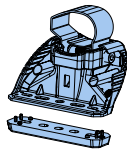
1.



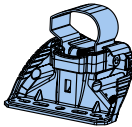
2.



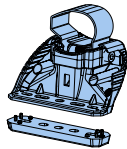
3.



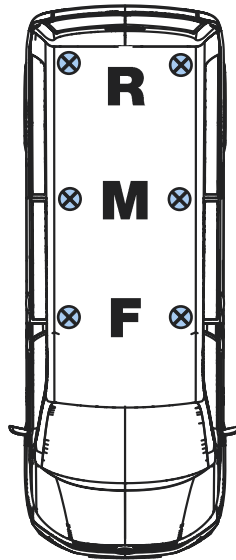
SA397
PS178



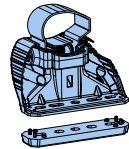
SA397



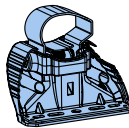
SA397
PS178



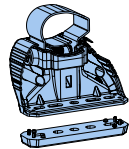
SA398
PS178



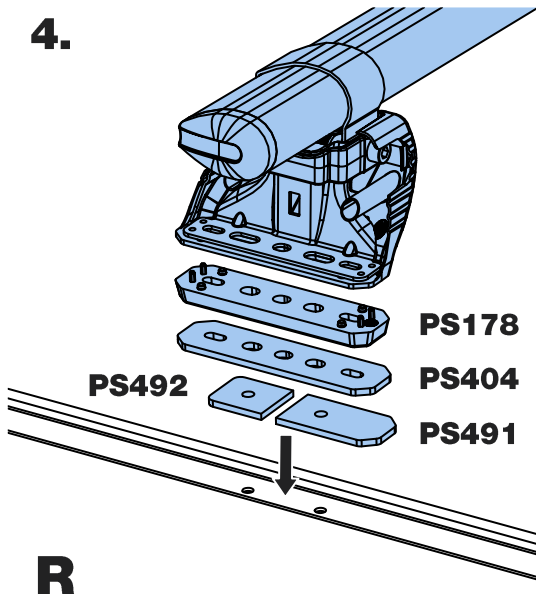
SA398



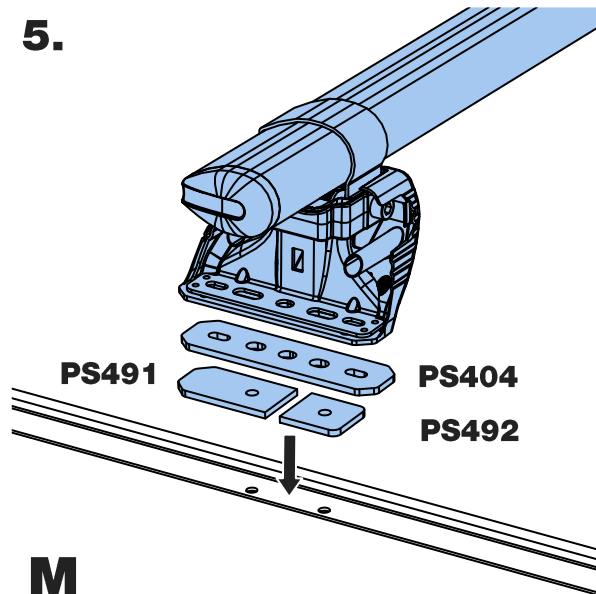
SA398
PS178

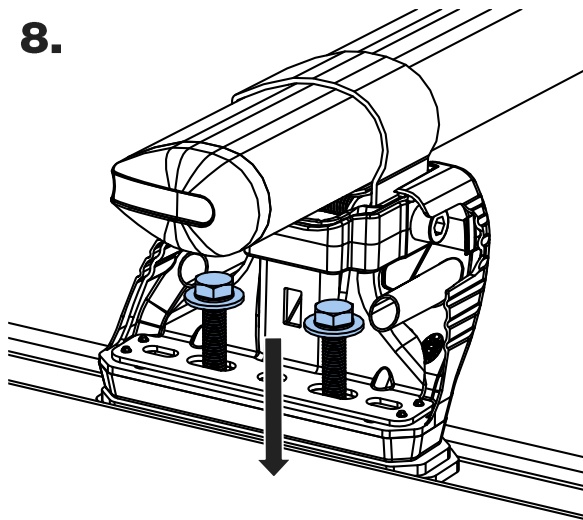
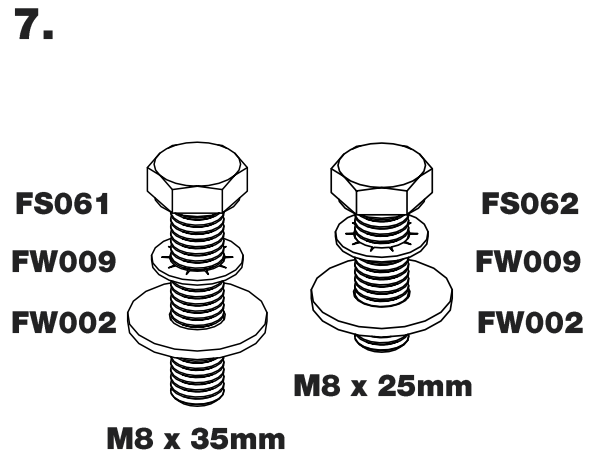
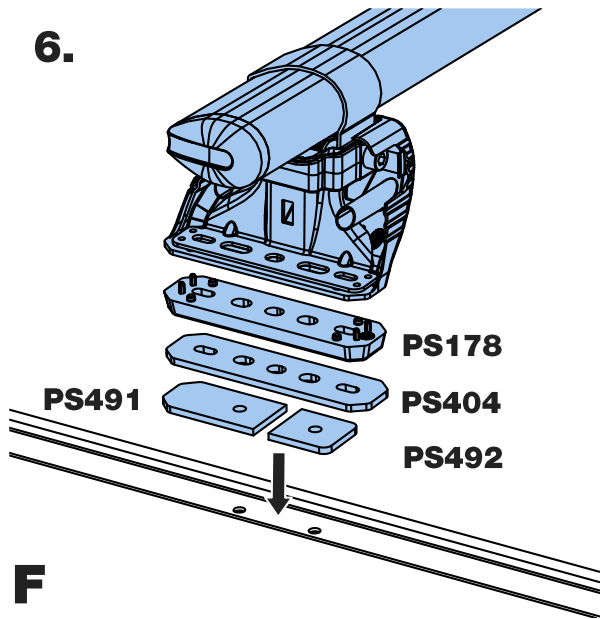


4.

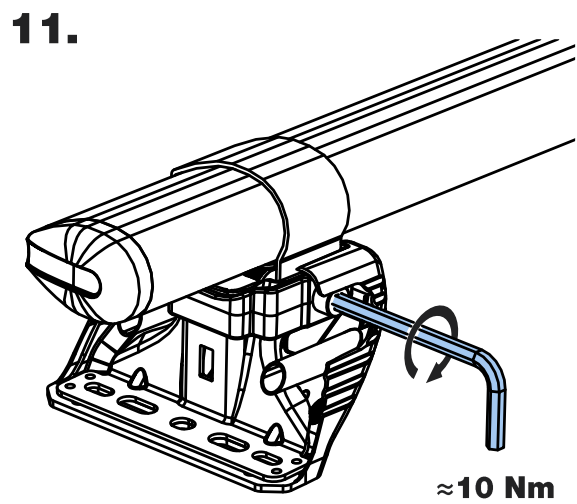
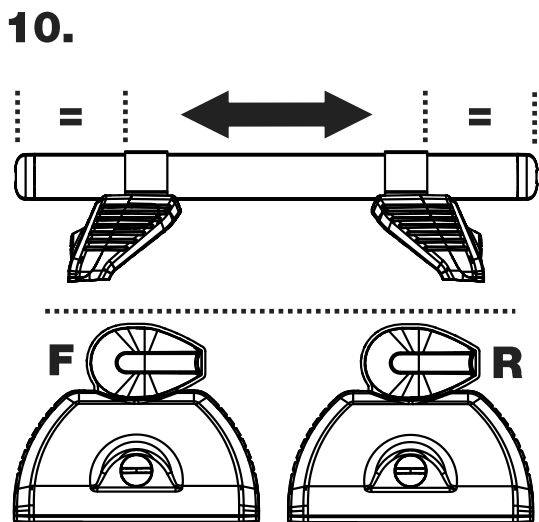
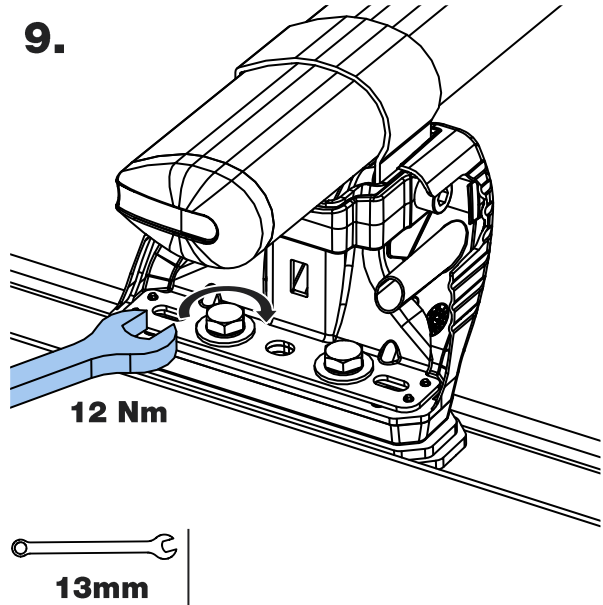


5.

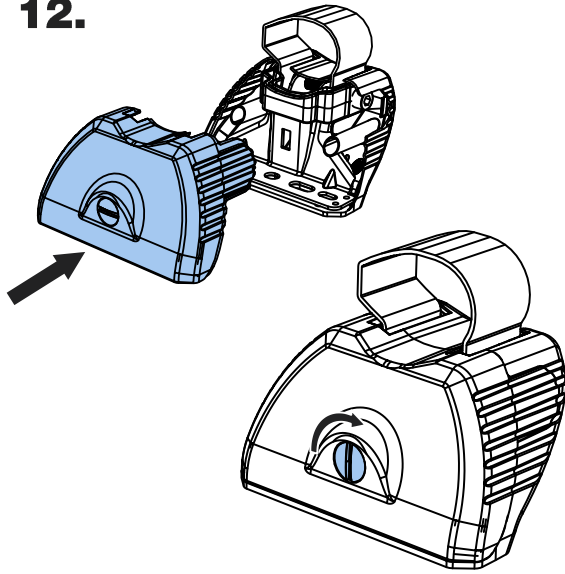




F/R - PS178 + M8 x 35mm
M - PS404 + M8 x 25mm



12.



13.

