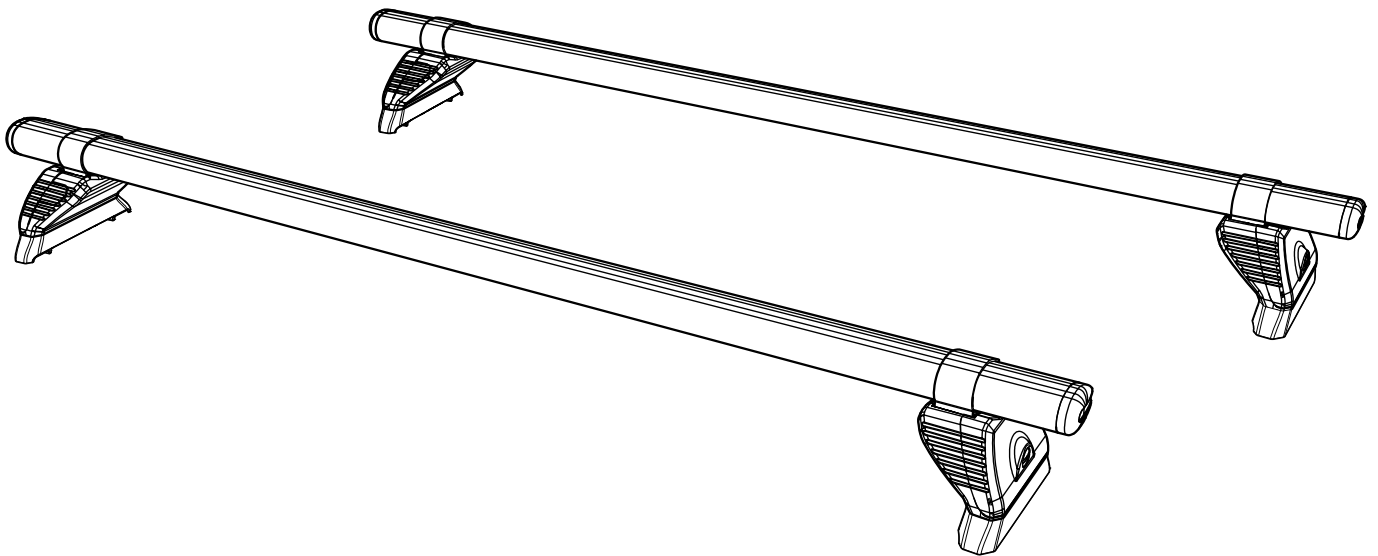


# MC2PR/FL

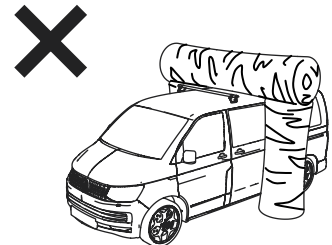
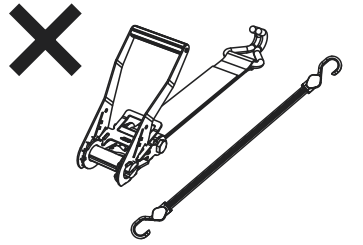
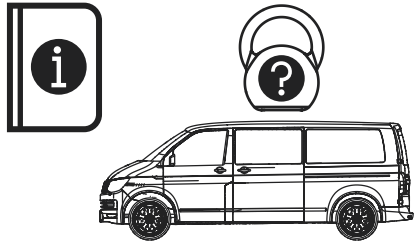
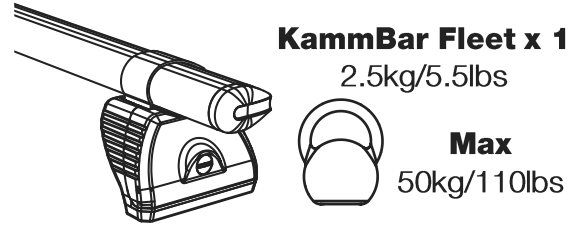
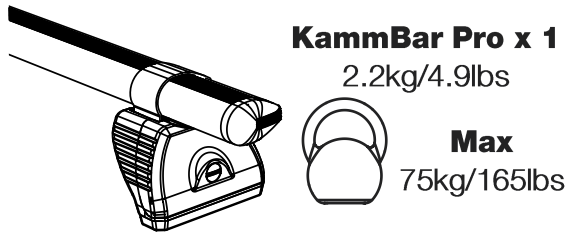
# KammBar

## Instructions

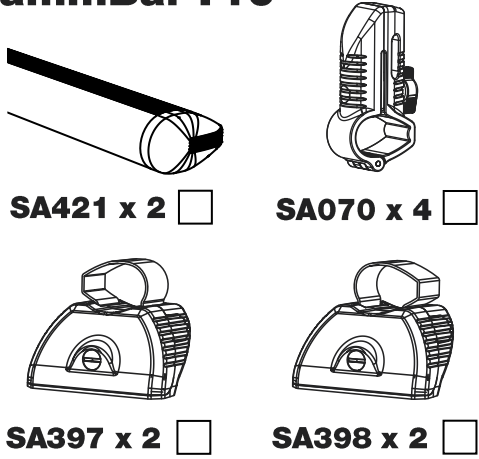


**CITY CRASH** (✓)

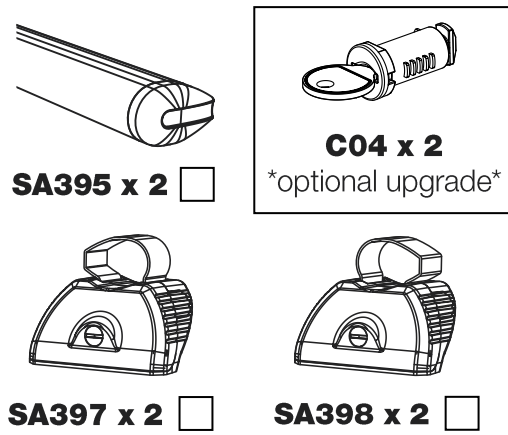
According to ISO/ PAS 11154:2006



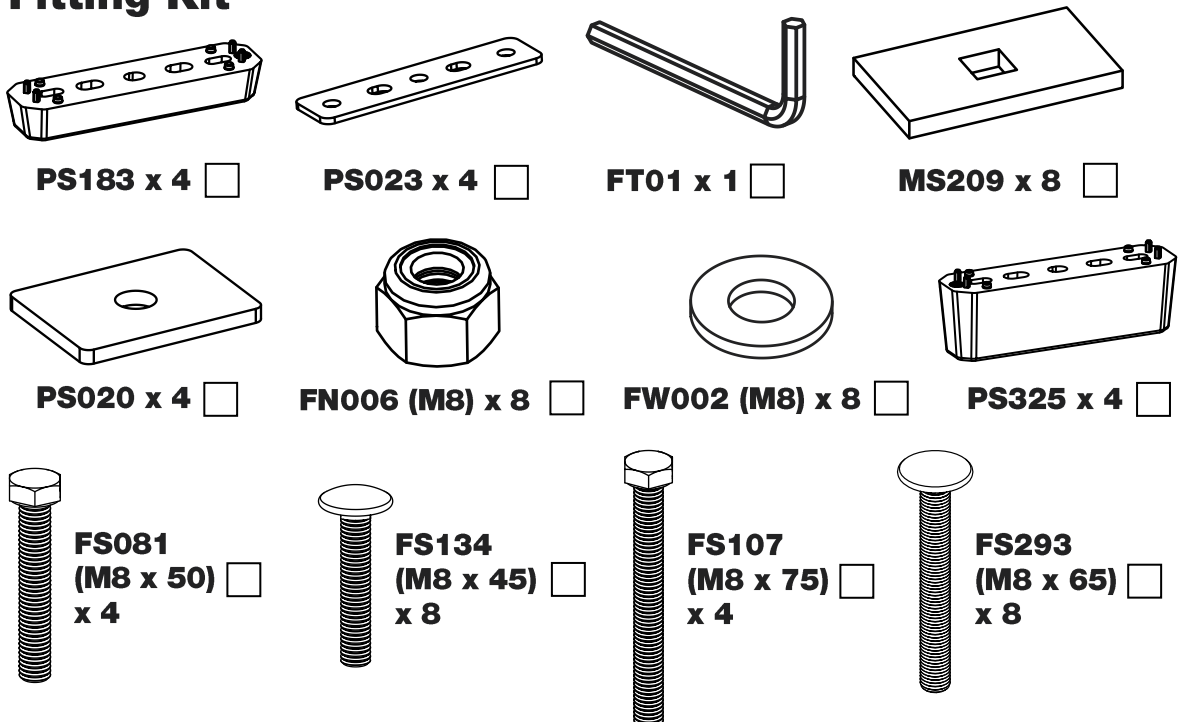
### KammBar Pro



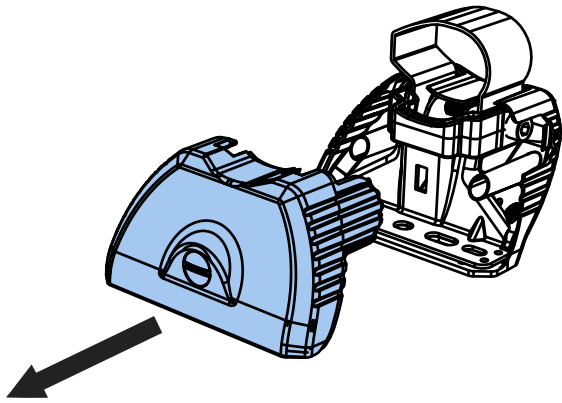
### KammBar Fleet



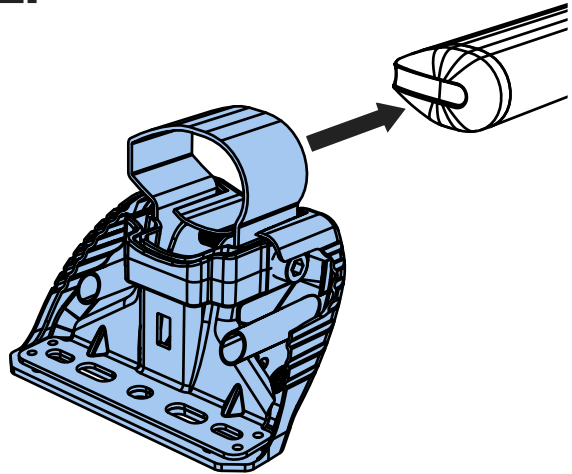
### Fitting Kit



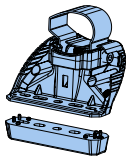
1.



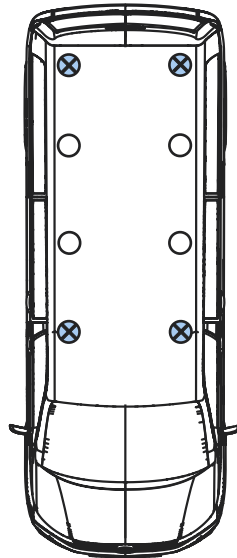
2.



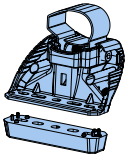
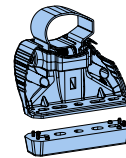
3.



**SA397**  
**PS183/PS325**

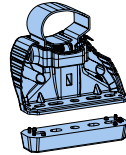


**SA398**  
**PS183/PS325**

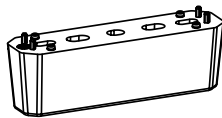


**SA397**  
**PS183/PS325**

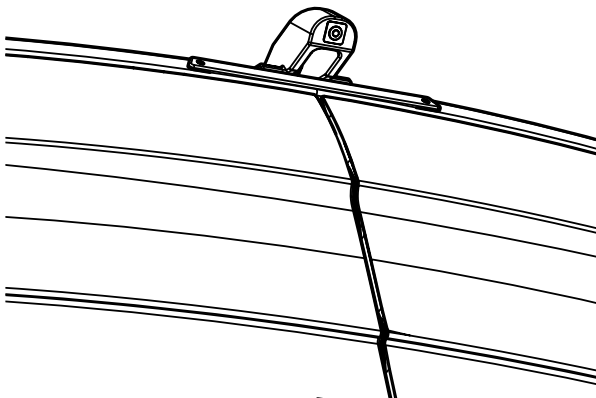
**SA398**  
**PS183/PS325**



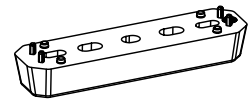
4.



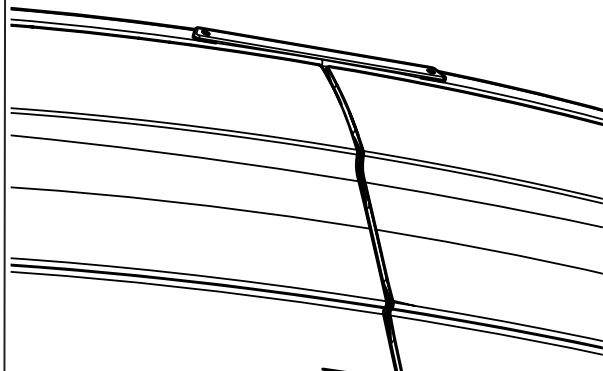
**PS325 = KK098**

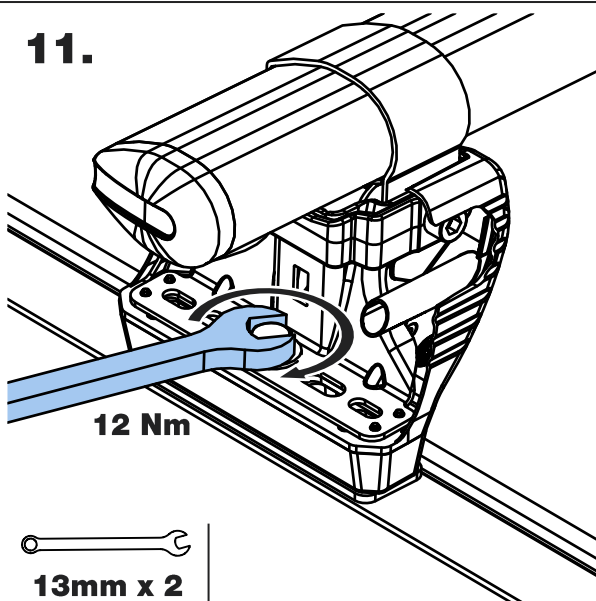
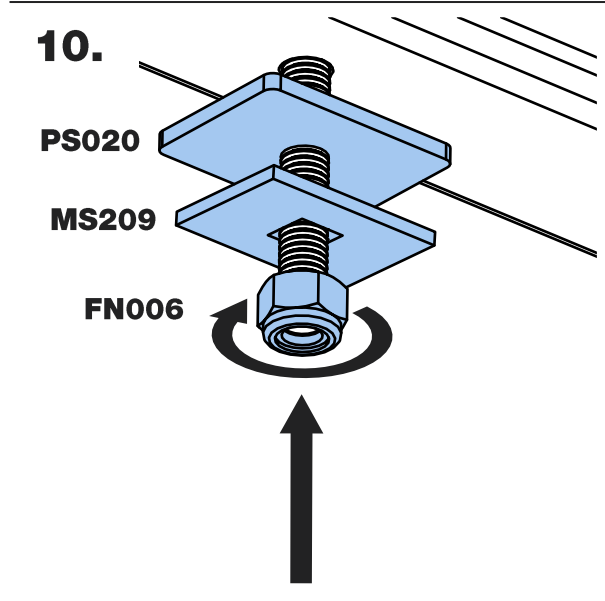
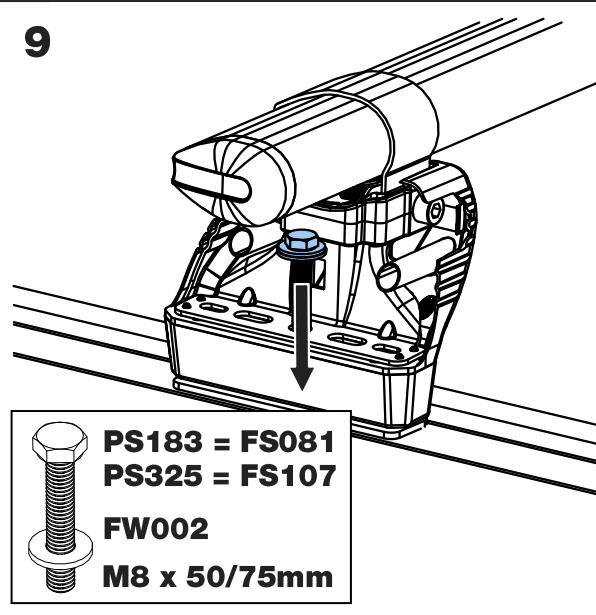
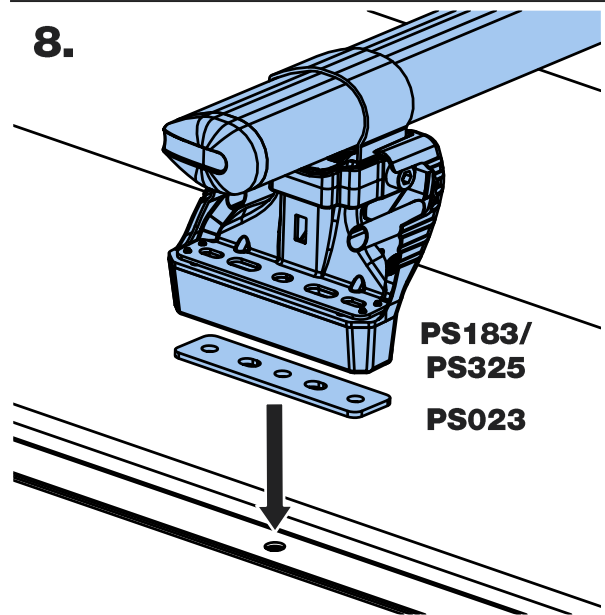
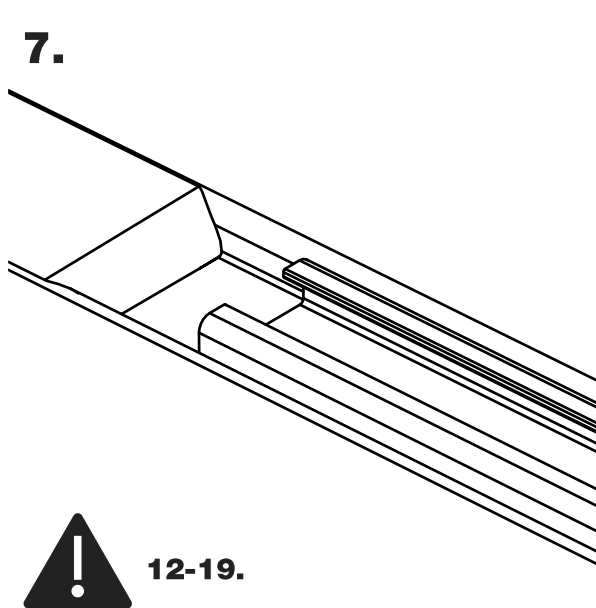
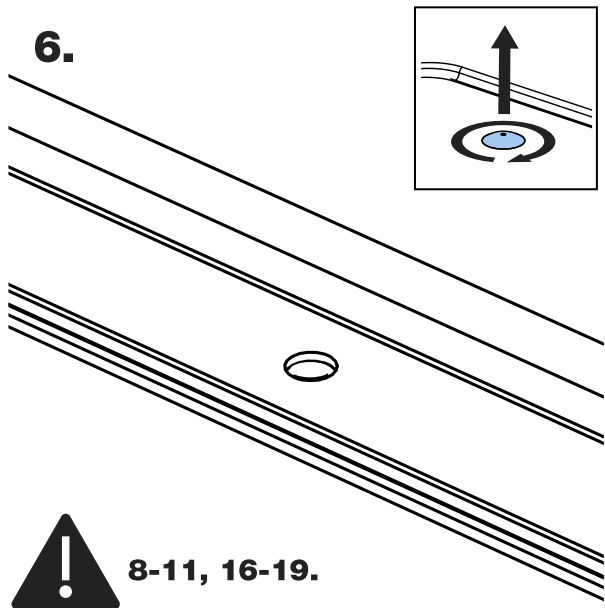


5.

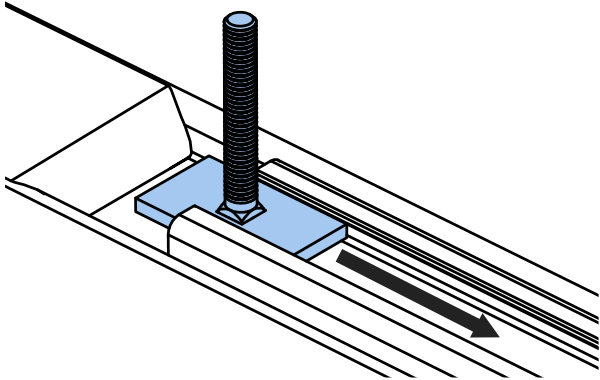
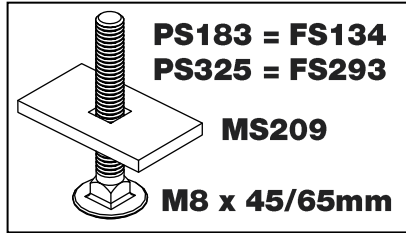


**PS183 = KK075**

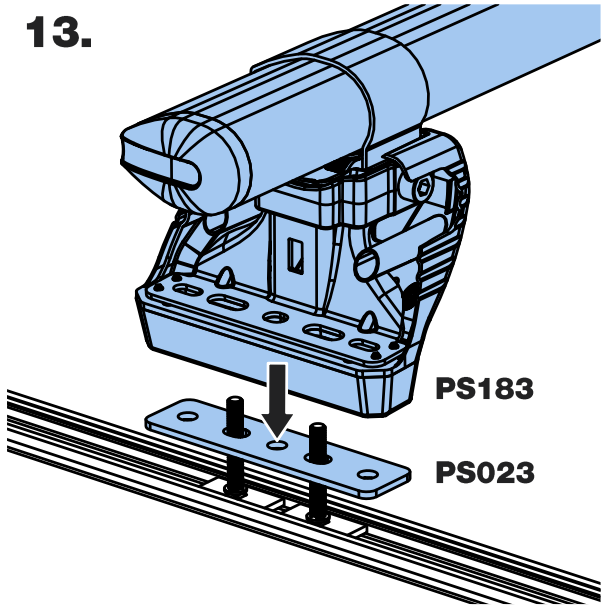




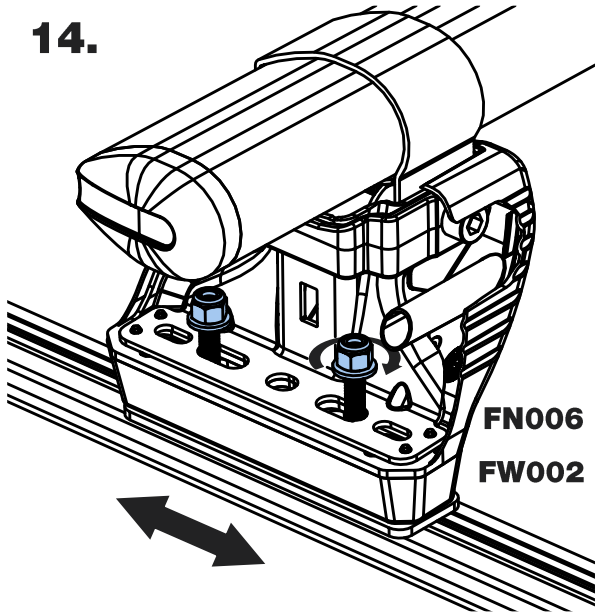
12.



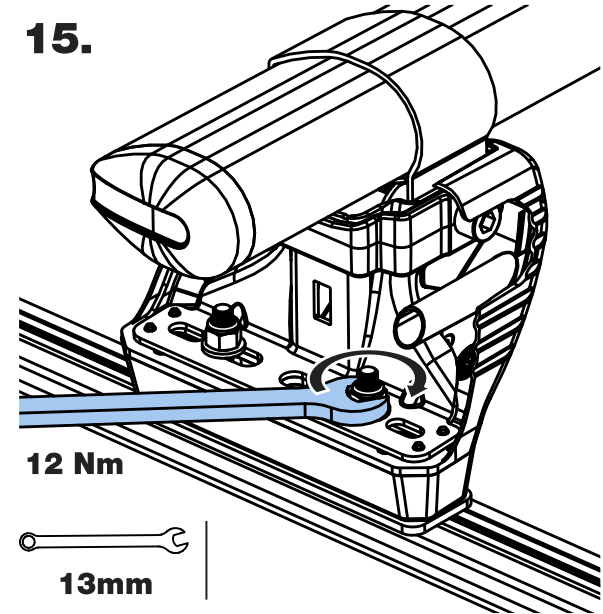
13.



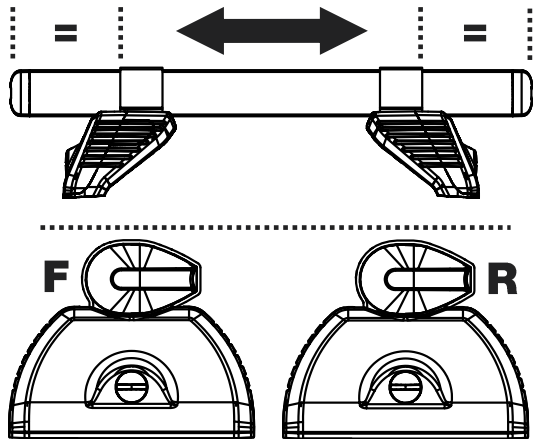
14.



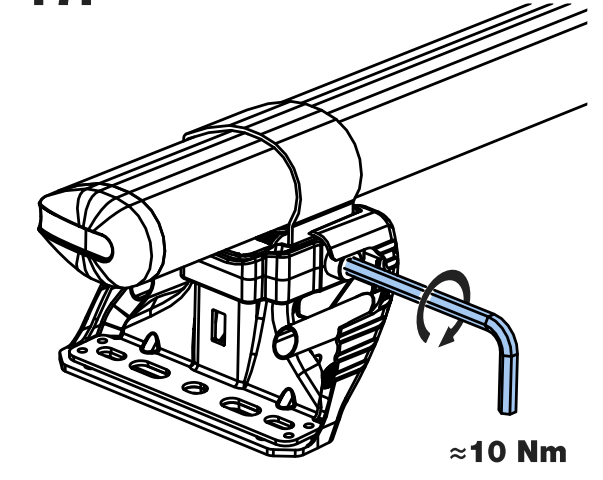
15.



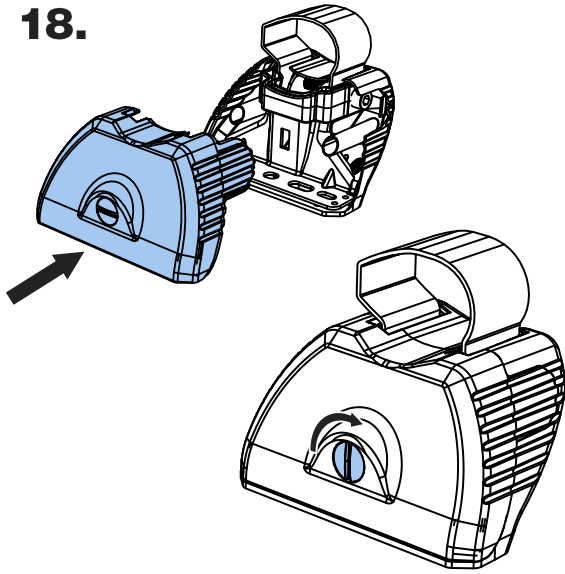
16.



17.



18.



19.

