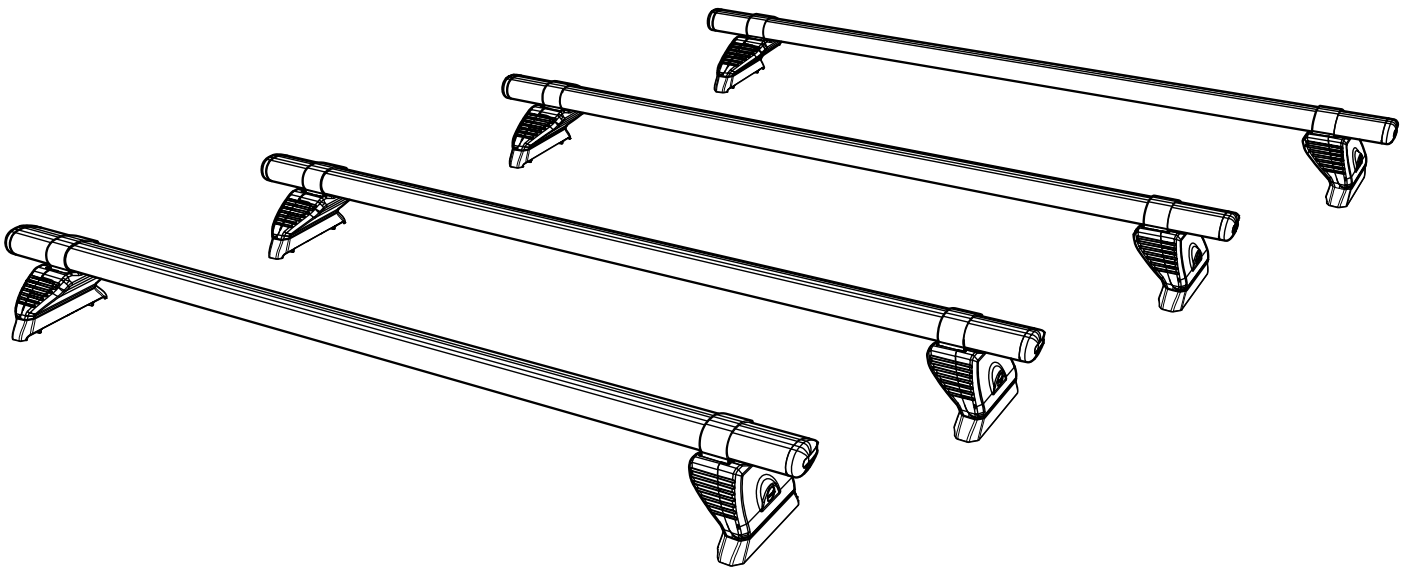
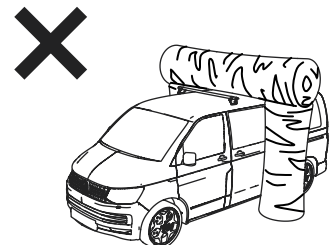
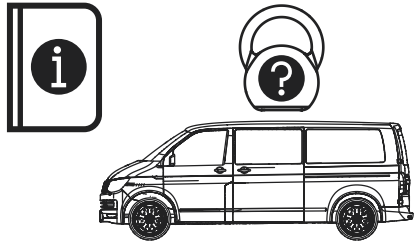
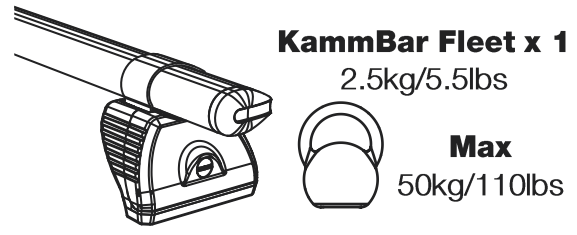
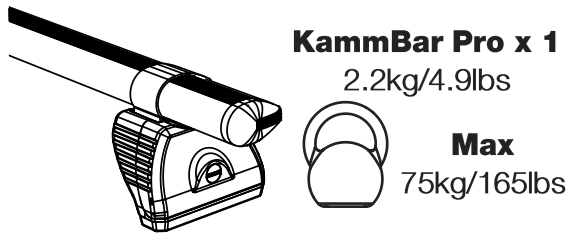


IA4PR/FL KammBar Instructions

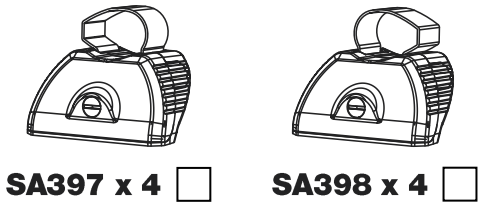
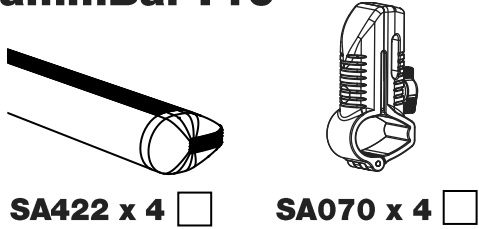


CITY CRASH (✓)

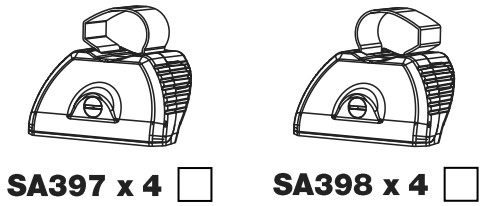
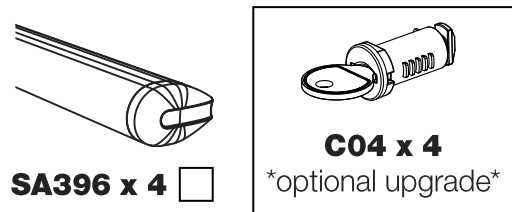
According to ISO/ PAS 11154:2006



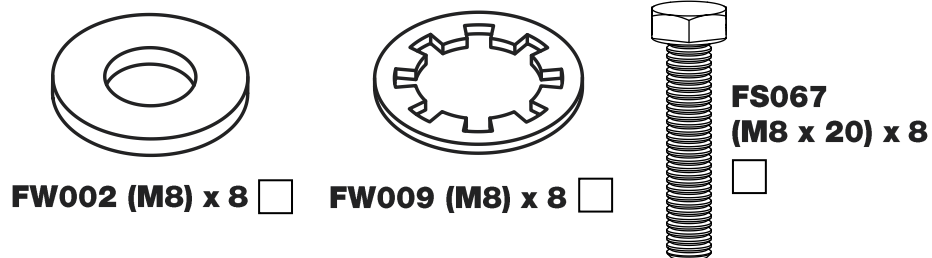
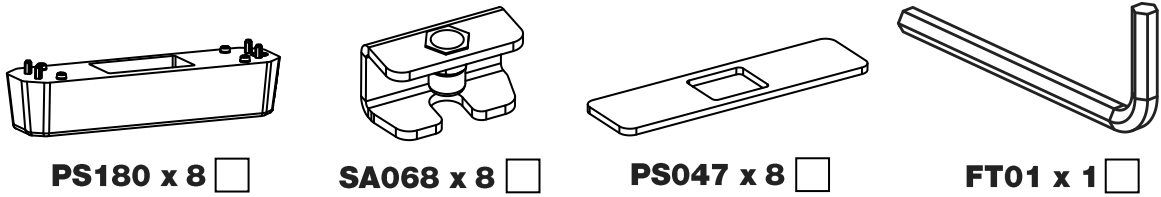
KammBar Pro



KammBar Fleet



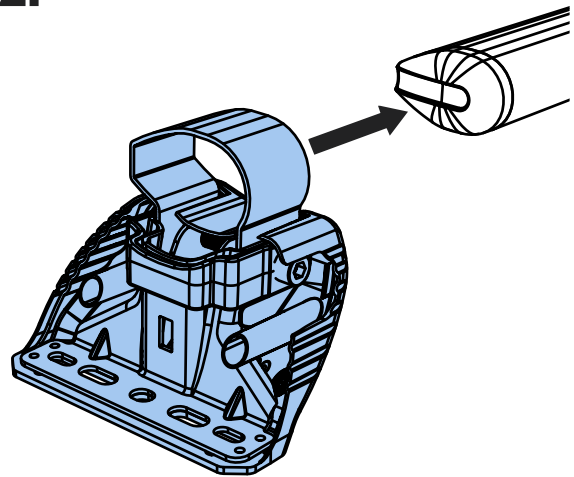
Fitting Kit



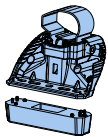
1.



2.

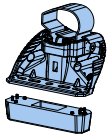


3.



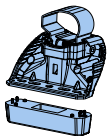
SA397

PS180



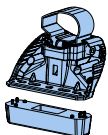
SA397

PS180



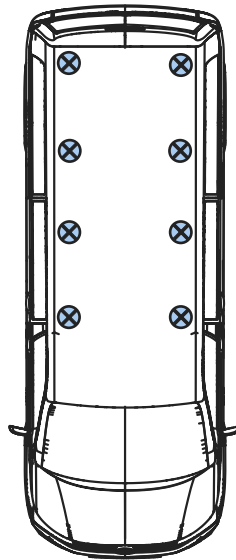
SA397

PS180



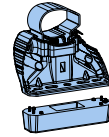
SA397

PS180



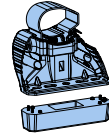
SA398

PS180



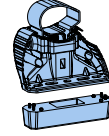
SA398

PS180



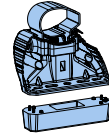
SA398

PS180

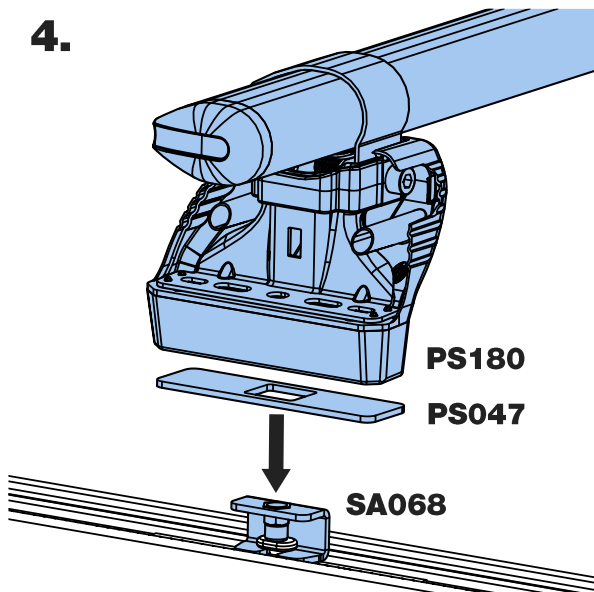


SA398

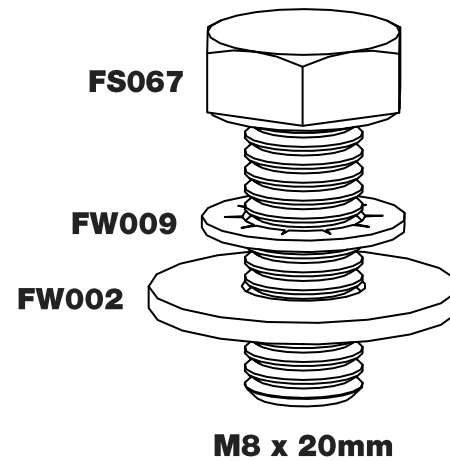
PS180



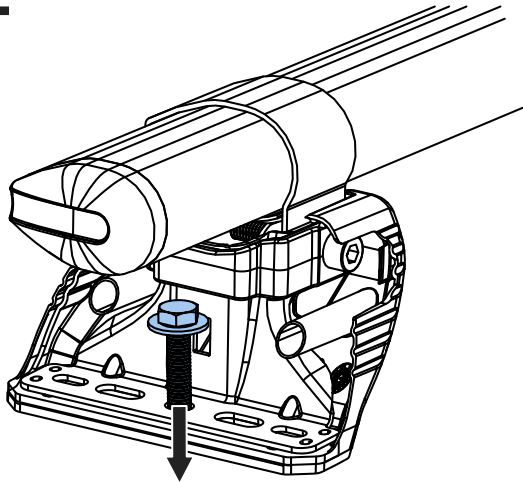
4.



5.

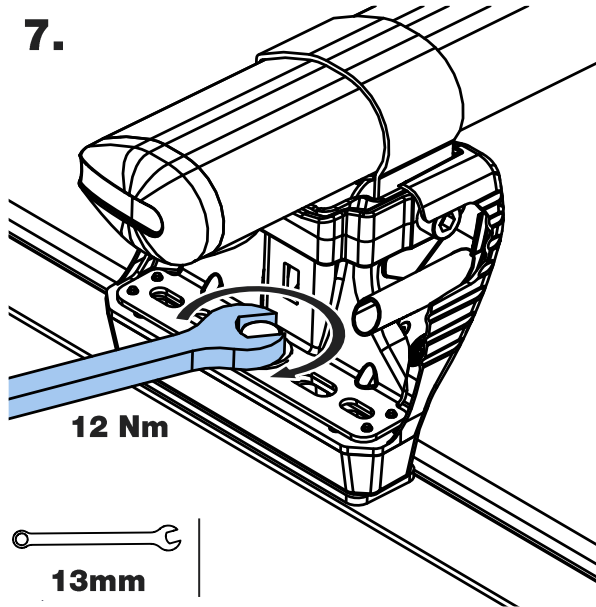


6.



PS180 + M8 x 20mm

7.

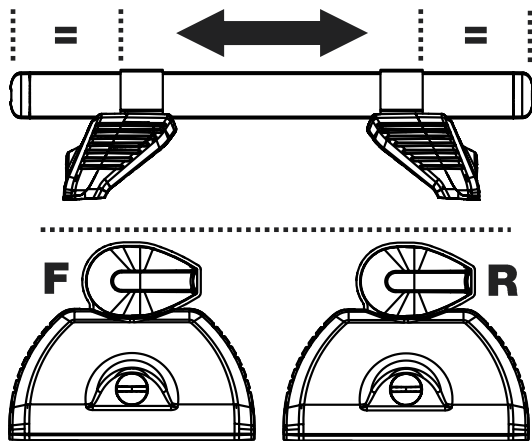


12 Nm

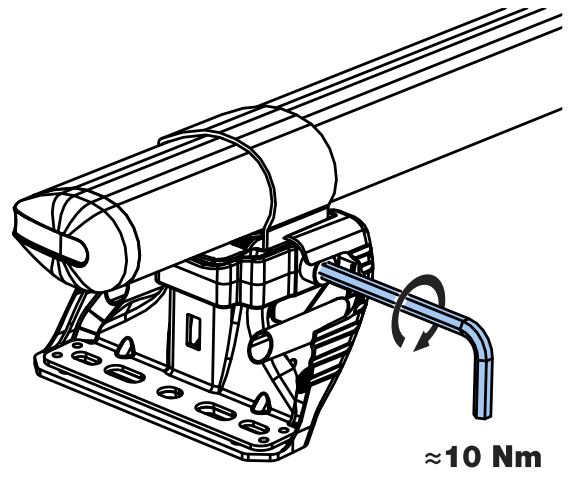


13mm

8.

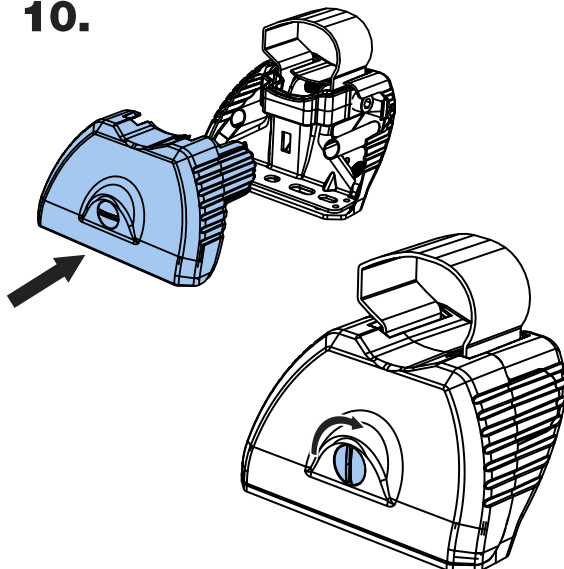


9.



≈10 Nm

10.



11.

